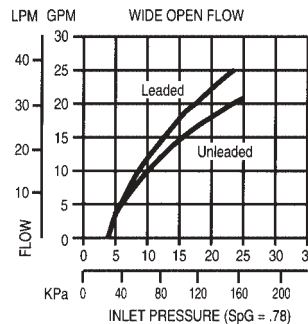


HUSKY 1-A

AUTOMATIC SHUT-OFF NOZZLE

Husky 1-A Nozzle:

- Automatic shut-off nozzle.
- Nozzle is equipped with unique Flo-Stop device that shuts off nozzle if it falls from fill tank or raises above the horizontal.
- Nozzle comes with Full Grip Guard. Waffle Splash Guard (not shown) is optional.
- Inlet size 1" (3/4" reducer bushing optional).



SPECIFYING INFORMATION

Model Number	Fuel	Hold-open Clip	Weight Lbs. (kg.)	Thread
209804	Unleaded	yes	2.9 (1.31)	NPT
209808	Unleaded	no	2.9 (1.31)	NPT
209803	Leaded	yes	2.9 (1.31)	NPT
209807	Leaded	no	2.9 (1.31)	NPT
209816	Unleaded	yes	2.9 (1.31)	NPT
209815	Leaded	yes	2.9 (1.31)	NPT

CONSTRUCTION

Body	Die Cast Aluminum
Disc	Viton® (Fluorocarbon)
Packing	Double O-Ring Seal Protected by Fiber Reinforced Teflon
Lever	One piece contoured steel with hard plastic cover
Inlet	1" NPT, BSP

PATENTS AND LISTINGS

Patent Nos.	4,809,753
Listings	U. L.

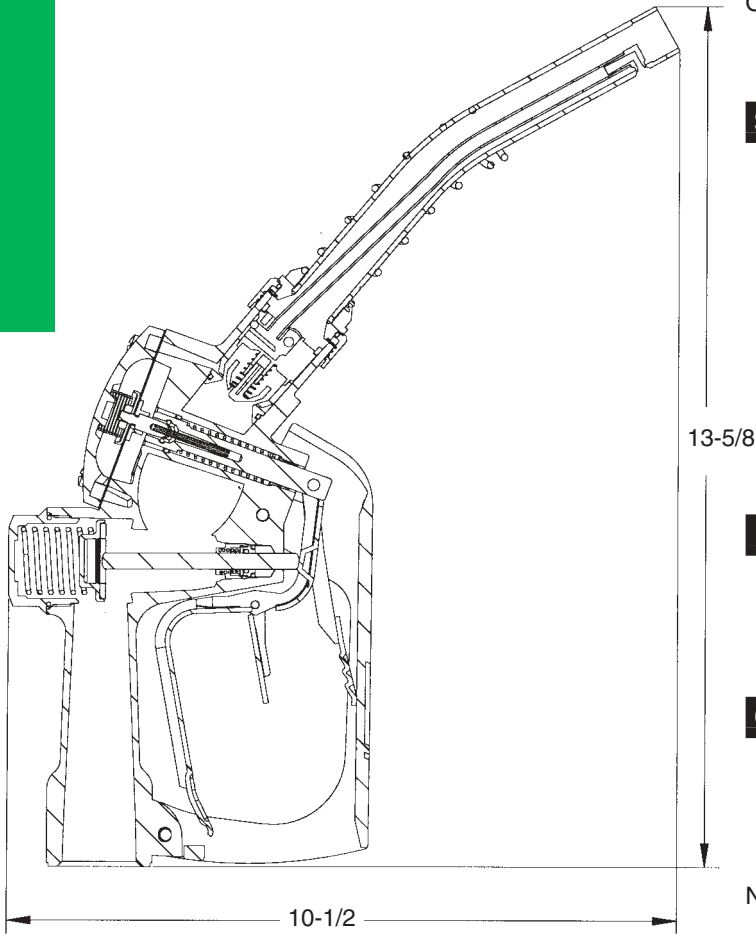
Viton® is a registered trademark of DuPont Dow Elastomers



HUSKY 1-A

AUTOMATIC SHUT-OFF NOZZLE

- ACCESSORIES
- FEATURES
- DIMENSIONS



SPOUTS

	Model No.	Description
New Style	1473	Unleaded
	1471	Leaded
Old Style	0738	Unleaded
	0736	Leaded

SWIVELS

Model No.	Description
0087	1"M x 1"F
0350	3/4"M x 3/4"F (Use w/reducer bushing)
0095	1"M x 1"F 70° Pump Swivel
4860	1" x 1" High Flow

SAFE-T-BREAKS®

Model No.	Description
2276	1"F x 1"F NPT
3360	3/4"F x 3/4"F NPT

GUARDS

	Model No.	Description
New Style	0554	Full Grip Guard
	1804	Full Grip ReGuard
	1808	Waffle Gas Guard
Old Style	1807	Waffle Gas Guard
	2573	Clip-on Trigger Cover

GUARD PKGS.

Model No.	Description
1811	ReGuard Package
0099	Protection Package

