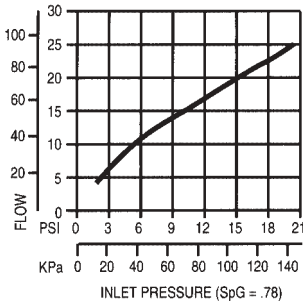


HUSKY 1-HS

AUTOMATIC SHUT-OFF NOZZLE

Husky 1-HS Nozzle:

- Truck stop nozzle with single poppet, high flow nozzle for up to 25 GPM dispensing.
- Full nozzle guard and lever cover protect vehicle and nozzle, and insulate customers' hands from the elements.
- Accu-Flo poppet allows accurate, "to-the-penny" fuel dispensing.



SPECIFYING INFORMATION

Model Number	Fuel	Hold-open Clip	Weight Lbs. (kg.)	Thread
026810	Diesel or Gasoline	yes	2.92 (1.32)	NPT
026812	Diesel or Gasoline	no	2.92 (1.32)	NPT
026838	Diesel or Gasoline	yes	2.92 (1.32)	BSP

CONSTRUCTION

Body	Die Cast Aluminum
Disc	Viton® (Fluorocarbon)
Packing	Double O-Ring Seal Protected by Fiber Reinforced Teflon
Lever	One piece contoured steel with hard plastic cover
Inlet	1" NPT, BSP

PATENTS AND LISTINGS

Patent Nos.	4,809,753
Listings	U.L. U.L.C.

Viton® is a registered trademark of DuPont Dow Elastomers

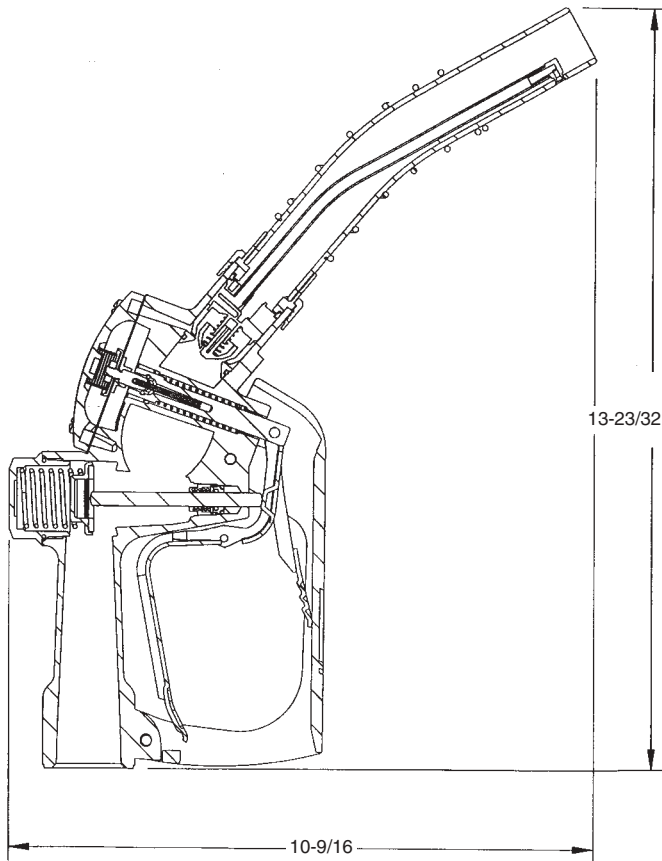


TRUCK & HIGH VOLUME

HUSKY 1-HS

AUTOMATIC SHUT-OFF NOZZLE

- ACCESSORIES
- FEATURES
- DIMENSIONS



SPOUTS

	Model No.	Description
New Style	5215	High Flow
Old Style	0740	High Flow

SWIVELS

Model No.	Description
0087	1"M x 1"F
0095	1"M x 1"F 70° Pump Swivel
4860	1" x 1" High Flow

SAFE-T-BREAKS®

Model No.	Description
2276	1"F x 1"F NPT

GUARDS

	Model No.	Description
	0554	Full Grip Guard
	1804	Full Grip ReGuard
	2573	Clip-on Trigger Cover
New Style	1808	Waffle Gas Guards
Old Style	1807	Waffle Gas Guards

GUARD PKGS.

Model No.	Description
1811	ReGuard Package
0099	Protection Package

