



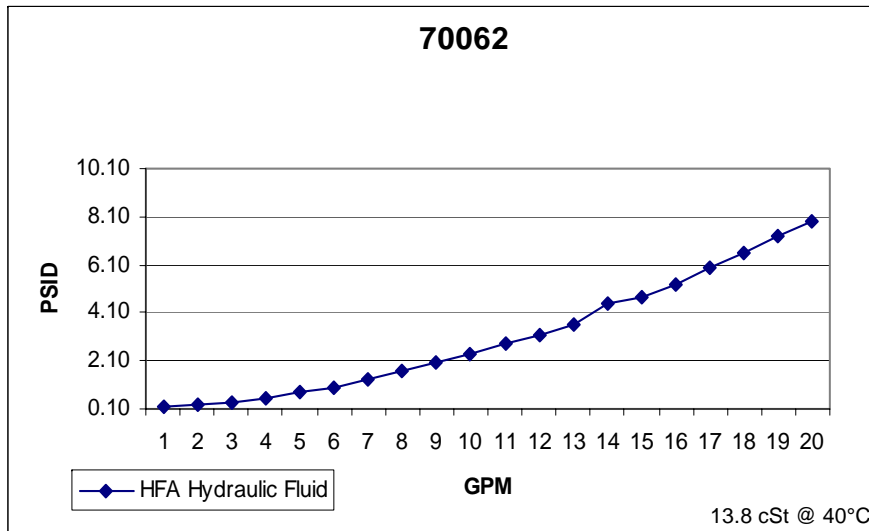
201 N. Champaign St. Bement, Illinois 61813

## 260HS-10 260 SERIES 10 MICRON

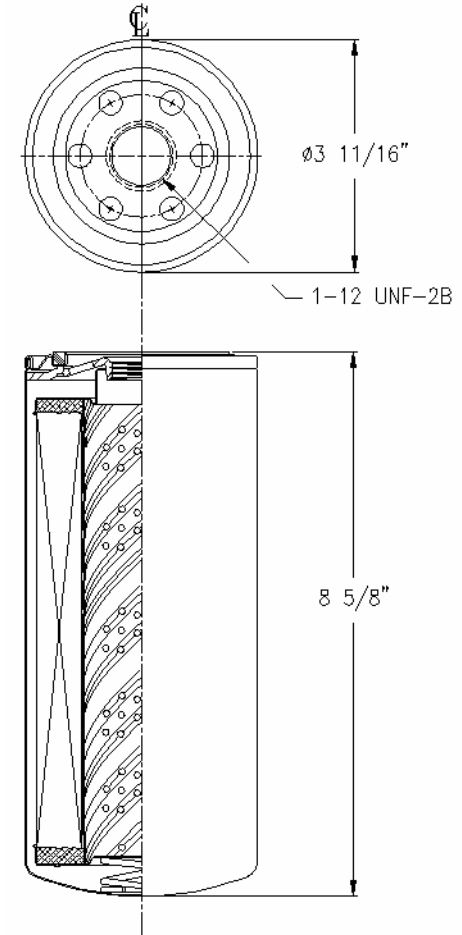
**Media Type:** Hydrosorb

Max Working Pressure (psi): 50

Core Collapse Pressure (psid): 80



## Technical Data Sheet - 70062



### NOTES:

1. Technical Data subject to change without notice.
2. Tests are conducted with Mobile Aero HFA Aviation Hydraulic Fluid.
3. Filters are not to be used with aviation applications.

### Gasket:

I. D. 2 13/32

O. D. 2 25/32



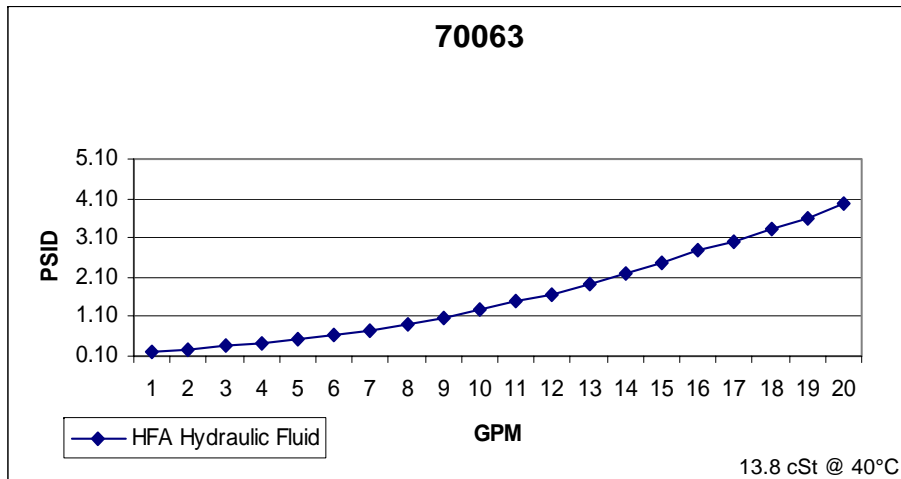
201 N. Champaign St. Bement, Illinois 61813

## 800HS-10 800 SERIES 10 MICRON

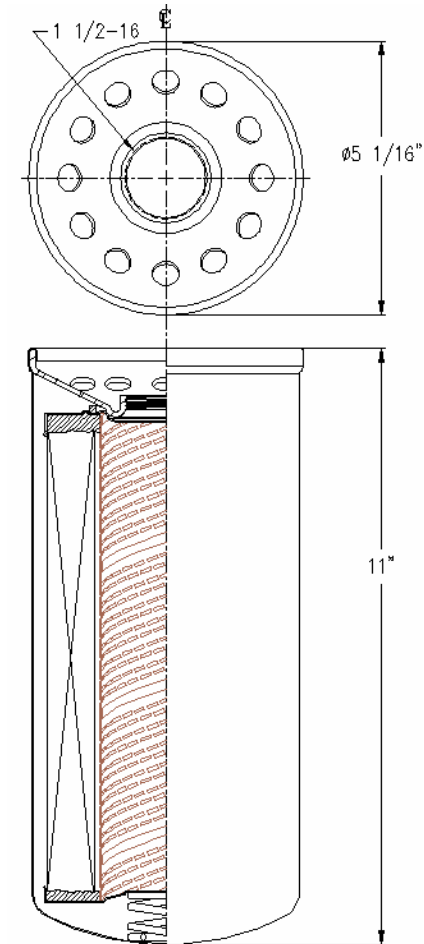
**Media Type:** Hydrosorb

Max Working Pressure (psi): 50

Core Collapse Pressure (psid): 80



## Technical Data Sheet - 70063



Gasket:

I. D. 4 23/32

O. D. 5 1/16

### NOTES:

1. Technical Data subject to change without notice.
2. Tests are conducted with Mobile Aero HFA Aviation Hydraulic Fluid.
3. Filters are not to be used with aviation applications.

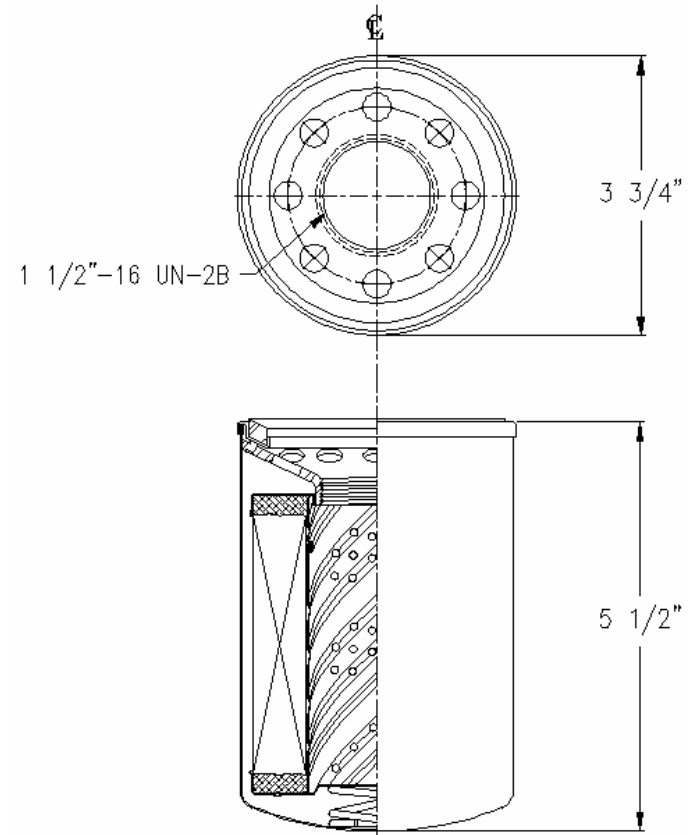


201 N. Champaign St. Bement, Illinois 61813

## 400MB-30 400 SERIES 30 MICRON ALCOHOL MONITOR

**Media Type:** Cimglass  
Max Working Pressure (psi): 50  
Core Collapse Pressure (psid): 80

### Technical Data Sheet - 70106



#### NOTES:

1. Technical Data subject to change without notice.
2. Tests are conducted with Mobile Aero HFA Aviation Hydraulic Fluid.
3. Filters are not to be used with aviation applications.

jw 02/19/09 Rev A

#### Gasket:

I. D. 2 31/32

O. D. 3 15/32



201 N. Champaign St. Bement, Illinois 61813

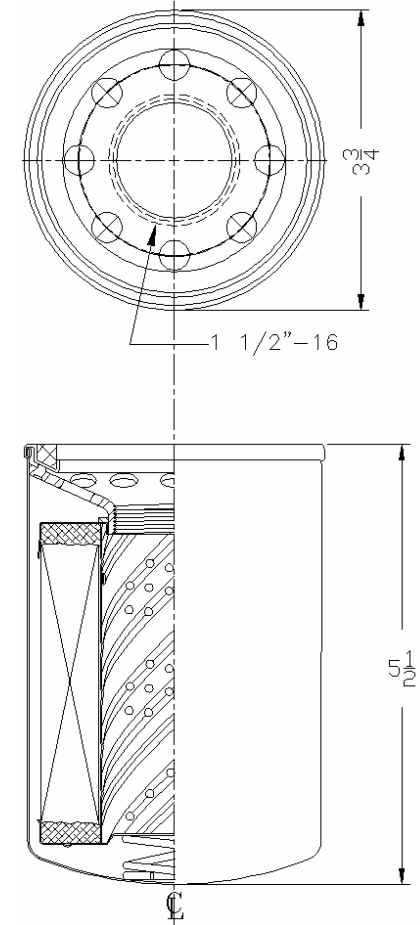
## 400MB-10 400 SERIES 10 MICRON ALCOHOL MONITOR

**Media Type:** Cimglass

Max Working Pressure (psi): 50

Core Collapse Pressure (psid): 80

### Technical Data Sheet - 70120



#### NOTES:

1. Technical Data subject to change without notice.
2. Tests are conducted with Mobile Aero HFA Aviation Hydraulic Fluid.
3. Filters are not to be used with aviation applications.

#### Gasket:

I. D. 2 31/32

O. D. 3 15/32



201 N. Champaign St. Bement, Illinois 61813

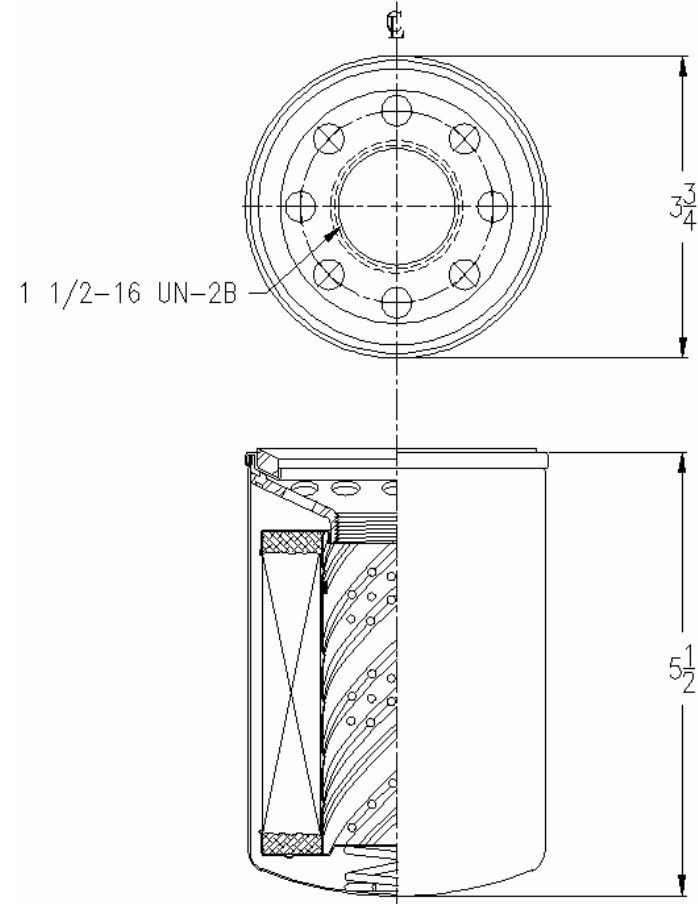
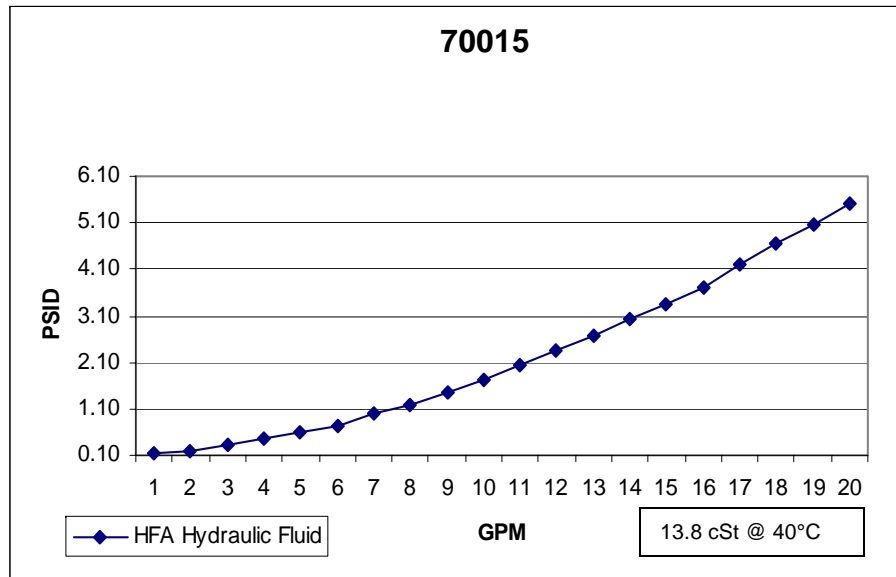
Technical Data Sheet - 70015

**400-10 400 SERIES 10 MICRON**

**Media Type:** Cellulose

Max Working Pressure (psi): 50

Core Collapse Pressure (psid): 80



Gasket:

I. D. 2 31/32

O. D. 3 15/32

NOTES:

1. Technical Data subject to change without notice.
2. Tests are conducted with Mobile Aero HFA Aviation Hydraulic Fluid.
3. Filters are not to be used with aviation applications.



201 N. Champaign St. Bement, Illinois 61813

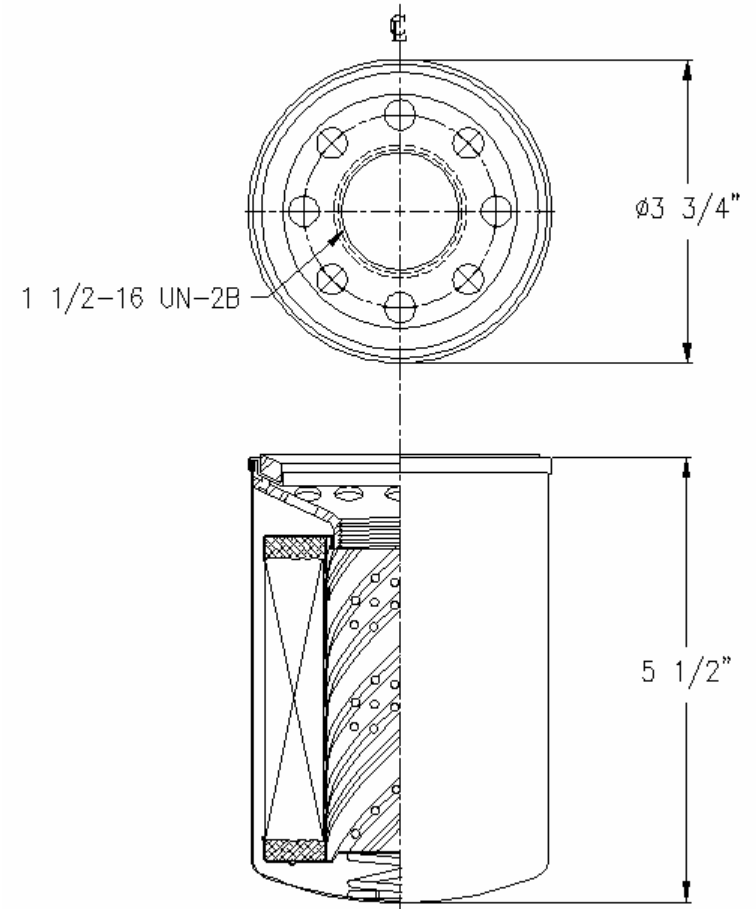
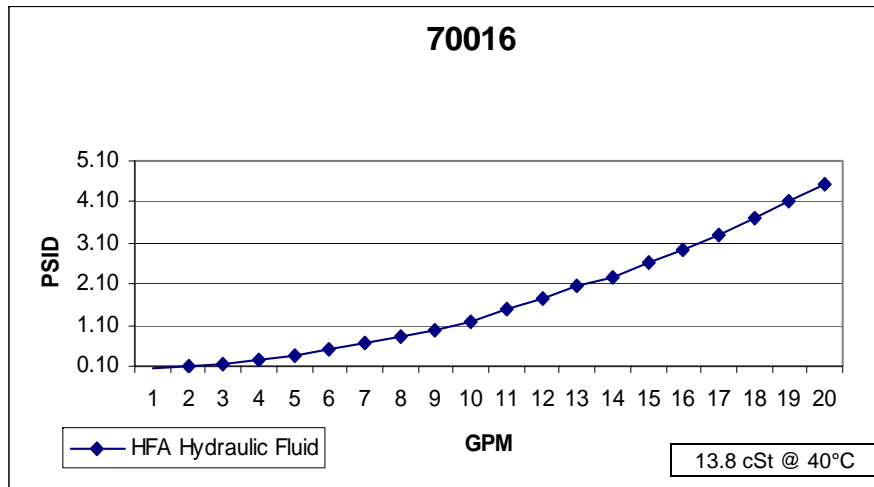
Technical Data Sheet - 70016

**400-30 400 SERIES 30 MICRON**

**Media Type:** Cellulose

Max Working Pressure (psi): 50

Core Collapse Pressure (psid): 80



Gasket:

I. D. 2 31/32

O. D. 3 15/32

NOTES:

1. Technical Data subject to change without notice.
2. Tests are conducted with Mobile Aero HFA Aviation Hydraulic Fluid.
3. Filters are not to be used with aviation applications.



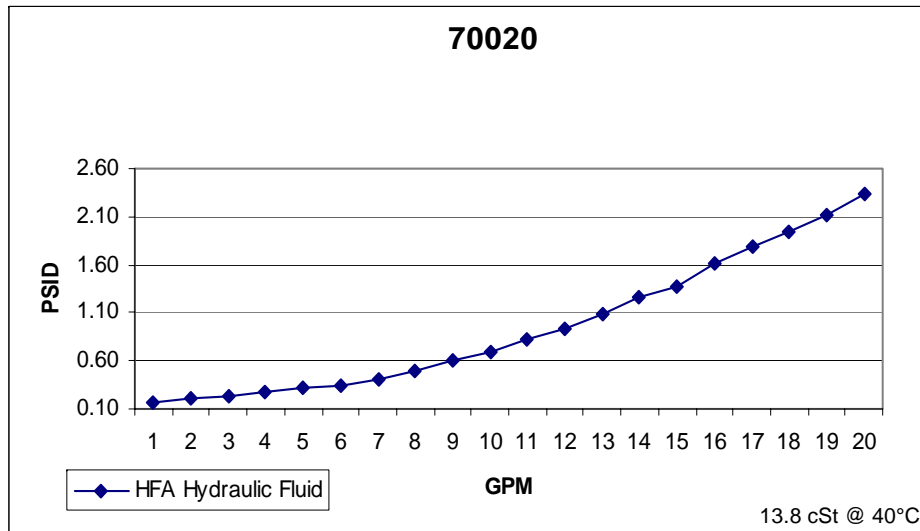
201 N. Champaign St. Bement, Illinois 61813

## 800-30 800 SERIES 30 MICRON

**Media Type:** Cellulose

Max Working Pressure (psi): 50

Core Collapse Pressure (psid): 80

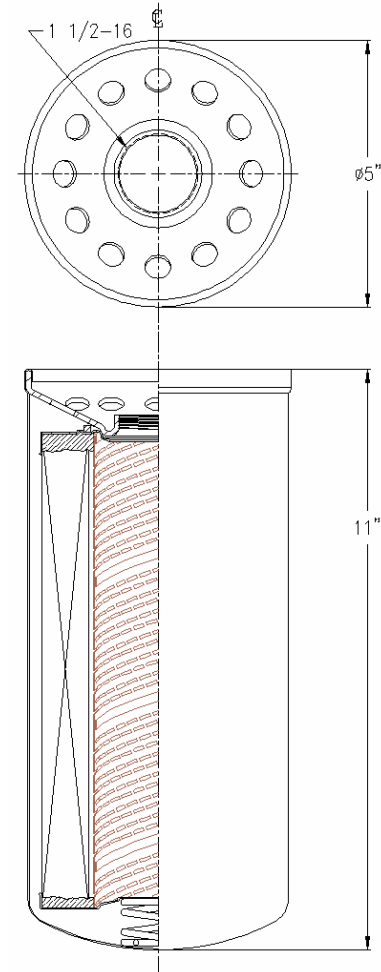


**NOTES:**

1. Technical Data subject to change without notice.
2. Tests are conducted with Mobile Aero HFA Aviation Hydraulic Fluid.
3. Filters are not to be used with aviation applications.

jw 02/17/09 Rev A

### Technical Data Sheet - 70020



**Gasket:**

I. D. 4 23/32

O. D. 5 1/16



201 N. Champaign St. Bement, Illinois 61813

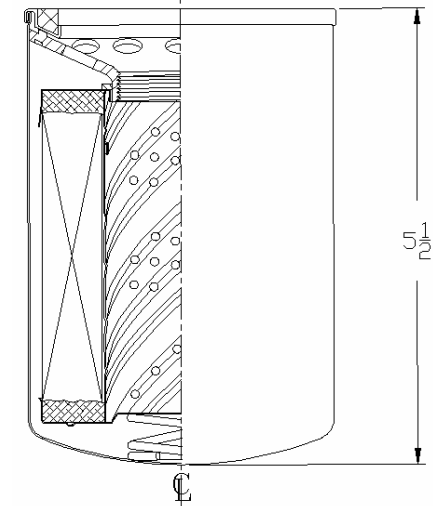
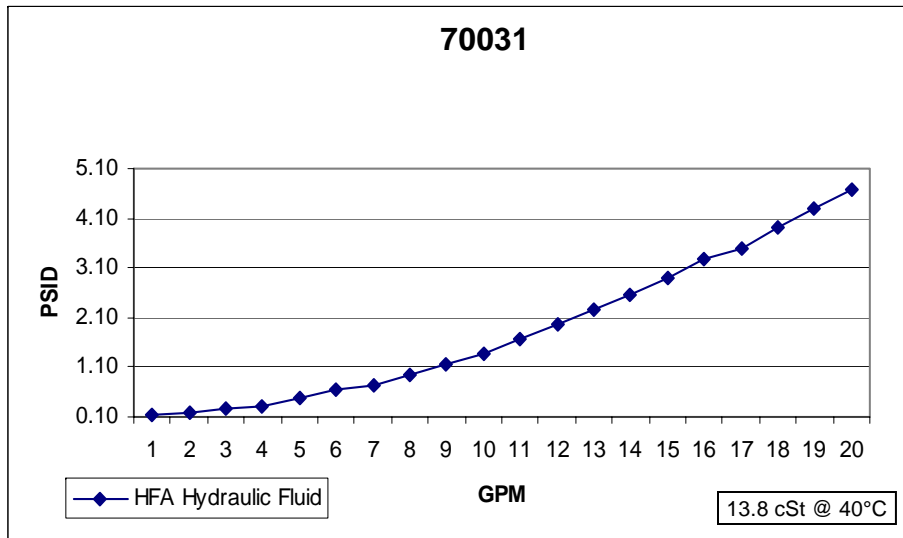
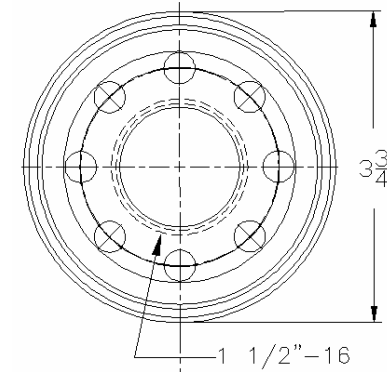
Technical Data Sheet - 70031

**400MG-10 400 SERIES 10 MICRON**

**Media Type:** Microglass

Max Working Pressure (psi): 50

Core Collapse Pressure (psid): 80



NOTES:

1. Technical Data subject to change without notice.
2. Tests are conducted with Mobile Aero HFA Aviation Hydraulic Fluid.
3. Filters are not to be used with aviation applications.

Gasket:

I. D. 2 31/32

O. D. 3 15/32